



CONTEMPORARY LUXURY FIREPLACES

cocoonfires.com



THE ORIGINAL EST. 2009 CONTEMPORARY LUXURY FIREPLACES

Cocoon Fires produces contemporary fireplaces that combine stylish form as well as function, to create outstanding environments.

Versatility through and through, whether suspended, wall mounted or free standing, our range of fireplaces offer endless possibilities for your interior or exterior space.

Designed by innovative and celebrated designer Federico Otero, the Cocoon is an example of contemporary design made unique.



ABOUT BIOETHANOL FIRES

Cocoon Fires fireplaces are fuelled with bioethanol. Bioethanol is a biofuel derived from plants including corn, wheat, barley and sugarcane. Bioethanol is a renewable energy source, with no odour and no harmful emissions. It creates a vibrant clean-burning flame with no harmful effects on the environment or the people using it.

COCOON FIRES



COCOON FIRES

COCOON AERIS

THE STAINLESS STEEL HANGING SYSTEM

The Cocoon Aeris contemporary fireplace is a suspended design piece that incorporates full adjustability in a modern hanging fireplace.

It has endless possibilities.

The Stainless Steel Hanging System is made up of two parts, a ceiling bracket and a telescopic pole. The adjustable pole is 142 cm fully extended, adjustable to 6 different height positions and can be rotated 360°.

The stainless steel model's marine grade qualities allow the Cocoon to be used all year round in order to maximise the benefits of its creative design. Simply remove the burner and the trays, then fill the shell with ice or cooling pads to use the Cocoon as a drink server.

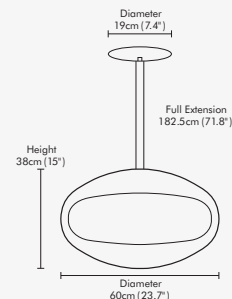
MAIN FEATURES:

- Burner capacity 1.5 litres
- Burning time is up to 5 hours
- Average consumption is approx. 0.30 l/hour
- Heat Output: 3.0kW
- 360° rotation available
- Easily convertible to Pedestal
- Available with Angled Ceiling Bracket



CONTEMPORARY LUXURY FIREPLACES

TECHNICAL SPECIFICATIONS



ADJUSTABLE HANGING POLE

- 6 height positions
- Full extension 142cm (56" in)

HEIGHT POSITIONS

- 98.5cm (38.8" in) – minimum extension
- 134.5cm (53" in)
- 125.5cm (49.4" in)
- 116.5cm (45.8" in)
- 107.5cm (42.3" in)
- 182.5cm (72" in) – full extension

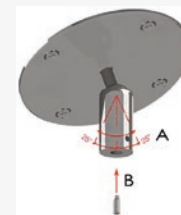
ACCESSORIES

Extension poles for high ceilings:

- 500mm
- 1000mm

THE ANGLED CEILING BRACKET

The Stainless Steel Angled Ceiling Bracket is used only in combination with the Stainless Steel Hanging System and allows for a maximum angle of 25°, this is the maximum angle the load bearing surface.





COCOON AERIS

THE COLOURED HANGING SYSTEM

The Coloured Hanging System is 202.5 cm fully extended, adjustable in lengths of 25 cm, by manipulating the poles available. 360° rotation is not available.

Our Cocoon Aeris with Coloured Hanging System is available in various stylish colour combinations to match all tastes:

- Full Matte Black Model (indoor use only)
- Full Matte White Model (indoor use only)
- Copper Hanging System (indoor use only)
- Brass Hanging System (indoor use only)

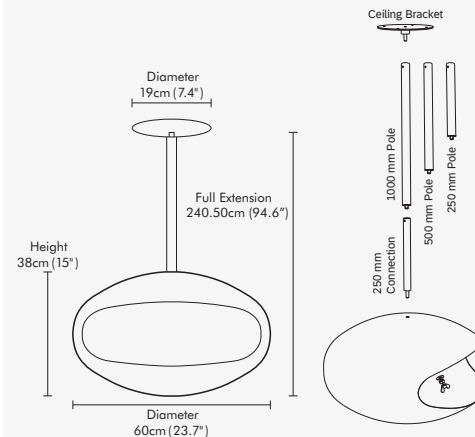
MAIN FEATURES:

- Burner capacity 1.5 litres
- Burning time is up to 5 hours
- Average consumption is approx. 0.30 l/hour
- Heat Output: 3.0kW
- 360 degrees rotation is not available
- Easily convertible to Pedestal
- Available with Angled Ceiling Bracket



CONTEMPORARY LUXURY FIREPLACES

TECHNICAL SPECIFICATIONS



THE COLOURED HANGING SYSTEM

- 360° rotation is not available.
- NOTE: the 25cm connection pole is not optional, and the desired finished length must be made up from a combination of the sizes available PLUS this compulsory Connection Pole.

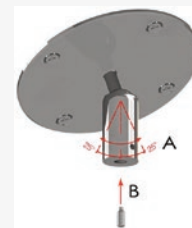
ACCESSORIES

Extension poles for high ceilings:

- 1000 mm / 500 mm / 250 mm

THE ANGLED CEILING BRACKET

The Angled Ceiling Bracket allows for a maximum angle of 25°, this is the maximum angle on a load bearing surface.



COCOON AERIS

ALL AVAILABLE COCOON AERIS COLOUR OPTIONS WITH STANDARD OR ANGLED CEILING BRACKET



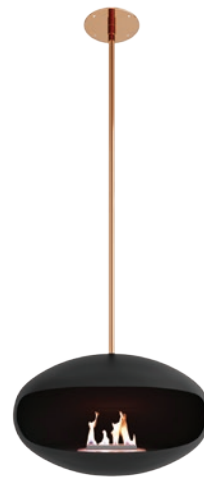
CFASS
with Stainless Steel Hanging System



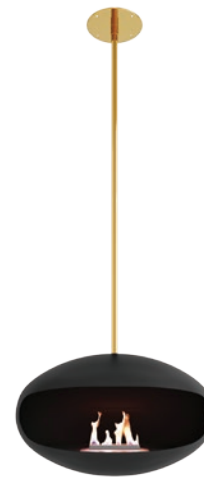
CFAB
with Stainless Steel Hanging System



CFABBLK
with Matte Black Hanging System



CFAB-COP
with Copper Hanging System



CFAB-BRASS
with Brass Hanging System



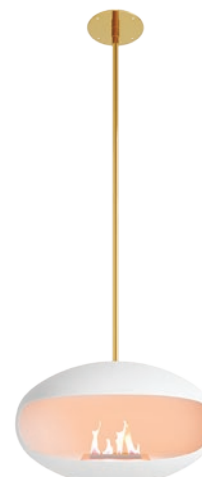
CFAWSS
with Stainless Steel Hanging System



CFAWW
with Matte White Hanging System



CFAW-COP
with Copper Hanging System



CFAW-BRASS
with Brass Hanging System



COCOON PEDESTAL

The Cocoon Pedestal is a portable and freestanding contemporary fireplace. It is versatile, fits perfectly into apartments and is easy to move outdoors.

The stainless steel model's marine grade qualities allow the Cocoon to be used all year round in order to maximise the benefits of its creative design. Simply remove the burner and the trays, then fill the shell with ice or cooling pads to use the Cocoon as a drink server. Thanks to versatility of the Cocoon Pedestal, it can be easily converted into the Cocoon Aeris.

Our Cocoon Pedestal range is available in various stylish colour combinations to match all tastes:

- Full Matte Black Model (indoor use only)
- Full Matte White Model (indoor use only)
- Full 316 Marine Grade Stainless Steel Model
- Copper Pedestal Stand (indoor use only)
- Brass Pedestal Stand (indoor use only)

MAIN FEATURES:

- Burner capacity 1.5 litres
- Burning time is up to 5 hours
- Average consumption is approx. 0.30 l/hour
- Heat Output: 3.0kW
- 360 degrees rotation is not available
- Easily convertible to Aeris



FUEL CAPACITY
1.5 LT BIO-ETHANOL



BURNING TIME
UP TO 5 HOURS



AVG. CONSUMPTION
≈ 0.30 LT/HR



3.0 kW
OUTPUT

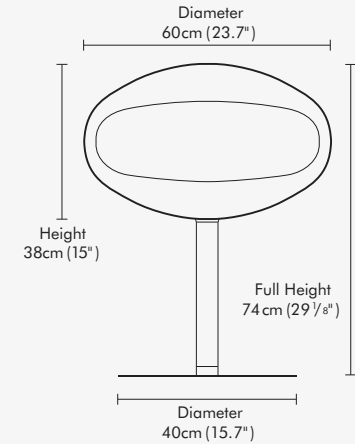


CONVERTS
TO AERIS



CONTEMPORARY LUXURY FIREPLACES

TECHNICAL SPECIFICATIONS



ALL AVAILABLE COCOON PEDESTAL COLOUR OPTIONS



CFPSS
with Stainless Steel Stand



CFPB
with Stainless Steel Stand



CFPBBLK
with Matte Black Stand



CFPB-COP
with Copper Stand



CFPB-BRASS
with Brass Stand



CFPWSS
with Stainless Steel Stand



CFPWW
with Matte White Stand



CFPW-COP
with Copper Stand



CFPW-BRASS
with Brass Stand

