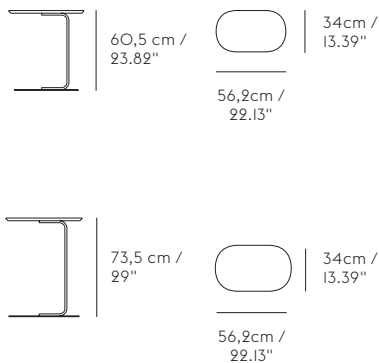


RELATE SIDE TABLE



BIG-GAME ON THE DESIGN "We were seeking to design a simple, comfortable and easy-to-use side table that would make a natural complement to any lounge, work or home setting. With two soft gentle shapes connected by a bent metal bar, the Relate Side Table makes a subtle yet bold statement, serving a functional purpose while adding a touch of modern design to any space."



DESIGNED BY / YEAR OF DESIGN

Big-Game / 2019

ABOUT THE DESIGNER

Big-Game is a design studio created in 2004 by Augustin Scott de Martinville, Elric Petit and Grégoire Jeanmonod based in Lausanne, Switzerland. The studio describes their work as simple, functional and optimistic and have received a number of awards, including the Wallpaper Design Award, the Swiss Design Award, the IF Design Award and more.

CATEGORY

Side table

ENVIRONMENT

Indoor

COUNTRY OF PRODUCTION

Denmark

PREASSEMBLED

No

DESCRIPTION

An elegant side table with two planes, connected through a graphic leg for a modern expression. Pull the Relate Side Table up to a sofa to use as a desk or place it in any space to hold various objects.

MATERIAL

Black, Off-White, Dark Green and Blue-Grey in linoleum finish on MDF or high-pressure laminate oak veneer on MDF. Solid Oak and Smoked Oak in solid oak tabletop with an oil finish. Frame in powder coated steel.

CLEANING AND CARE

Laminate & Linoleum: Clean the table with a damp cloth. If necessary, only use a mild detergent or washing up liquid and not concentrated. Always wipe with a dry cloth afterwards. To minimize the risk of stains and marks, liquid, grease etc. should be removed straight away. For linoleum versions, linoleum care is recommended for optimal saturation of the natural

material 2-3 times a year. It is recommended to clean linoleum versions with a damp cloth and a pH neutral cleaner and wipe dry to remove any residues.

Oak Veneer: Clean the table with a damp cloth. If necessary, only use a mild detergent or washing up liquid and not concentrated. Always wipe with a dry cloth afterwards. To minimize the risk of stains and marks, liquid, grease etc. should be removed straight away.

Solid Oak & Solid Smoked Oak: Upon receiving your table, we recommend that tabletop and bottom is treated with special oak wood oil, improving its resistance to stains and fluids. We also recommend that you continue caring for the product by repeating this treatment 2-3 times a year. For products in Solid Oak, we recommend using a tabletop oil with a small amount of white pigment, suitable for food applications. For products in Smoked Oak, we recommend using a smoked tabletop oil, suitable for food applications. Clean tabletop often and carefully with a soft and dry cloth following the wood's grain patterns. The product should not be exposed to excessive humidity, heat, or direct sunlight. Avoid placing the table in the immediate distance of a heat source. Do not place hot or wet objects directly on the table, as they can leave a mark on the tabletop. Metal objects can leave a mark if left on the table for a longer period of time. Any spill should immediately be removed to avoid discoloring. Clean the table top often and carefully with a soft and dry cloth following the wood's grain patterns.

*Please contact customercare@muuto.com for recommendations on specific oak wood oils available in your region.

TEST & CERTIFICATIONS

EN 15372:2016 - L3: Extreme use Furniture - Strength, durability and safety - Requirements for non-domestic tables.

READY-TO-SHIP OPTIONS

